

Spark Streaming

Spark - Exercises

1

Exercise #51

- High stock price variation identification in real-time
- Input:
 - A streaming of stock prices
 - Each input record has the format
 - Timestamp,StockID,Price

2

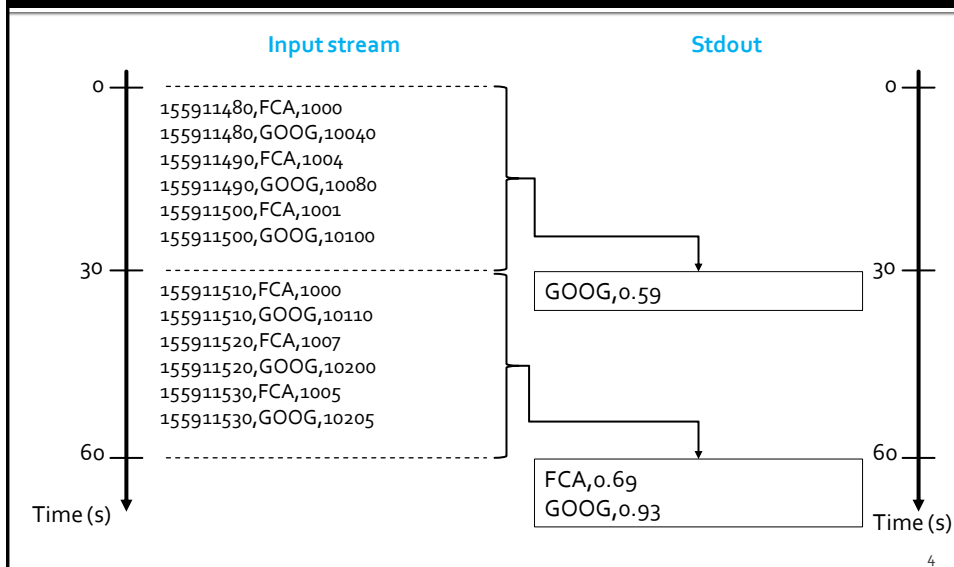
Exercise #51

- Output:
 - Every 30 seconds print on the standard output, and store in the output folder, the **StockID** and the **price variation (%) in the last 30 seconds** of the stocks with a **price variation greater than 0.5%** in the last 30 seconds
 - Given a stock, its price variation during the last 30 seconds is:

$$\frac{\max(\text{price}) - \min(\text{price})}{\max(\text{price})}$$

3

Exercise #51- Example



4

Exercise #52

- Anomalous stock price identification in real-time
- Input:
 - A textual file containing the historical information about stock prices in the last year
 - Each input record has the format
 - Timestamp,StockID,Price
 - A real time streaming of stock prices
 - Each input record has the format
 - Timestamp,StockID,Price

5

Exercise #52

- Output:
 - Every 1 minute print on the standard output, and store in the output folder, the StockIDs of the stocks that satisfy one of the following conditions
 - price of the stock (received on the real-time input data stream) < historical minimum price of that stock (based only on the historical file)
 - price of the stock (received on the real-time input data stream) > historical maximum price of that stock (based only on the historical file)
 - If a stock satisfies the conditions multiple times in the same batch, return the stockId only one time for each batch

6

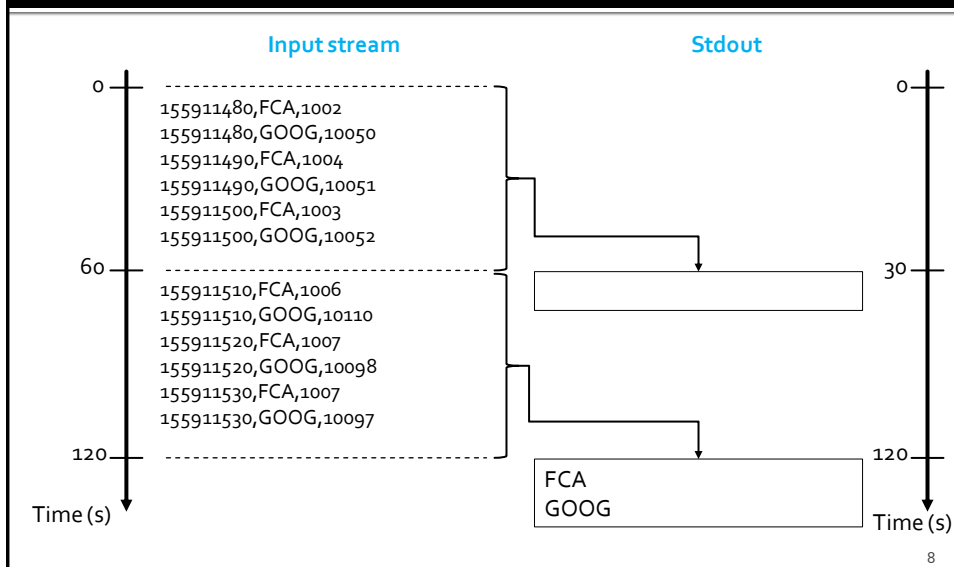
Exercise #52- Example

- Textual file containing the historical information about stock prices in the last year

```
130000000,FCA,1000
130000000,GOOG,10040
130000060,FCA,1004
130000060,GOOG,10080
130000120,FCA,1001
130000120,GOOG,10100
```

7

Exercise #52- Example



8